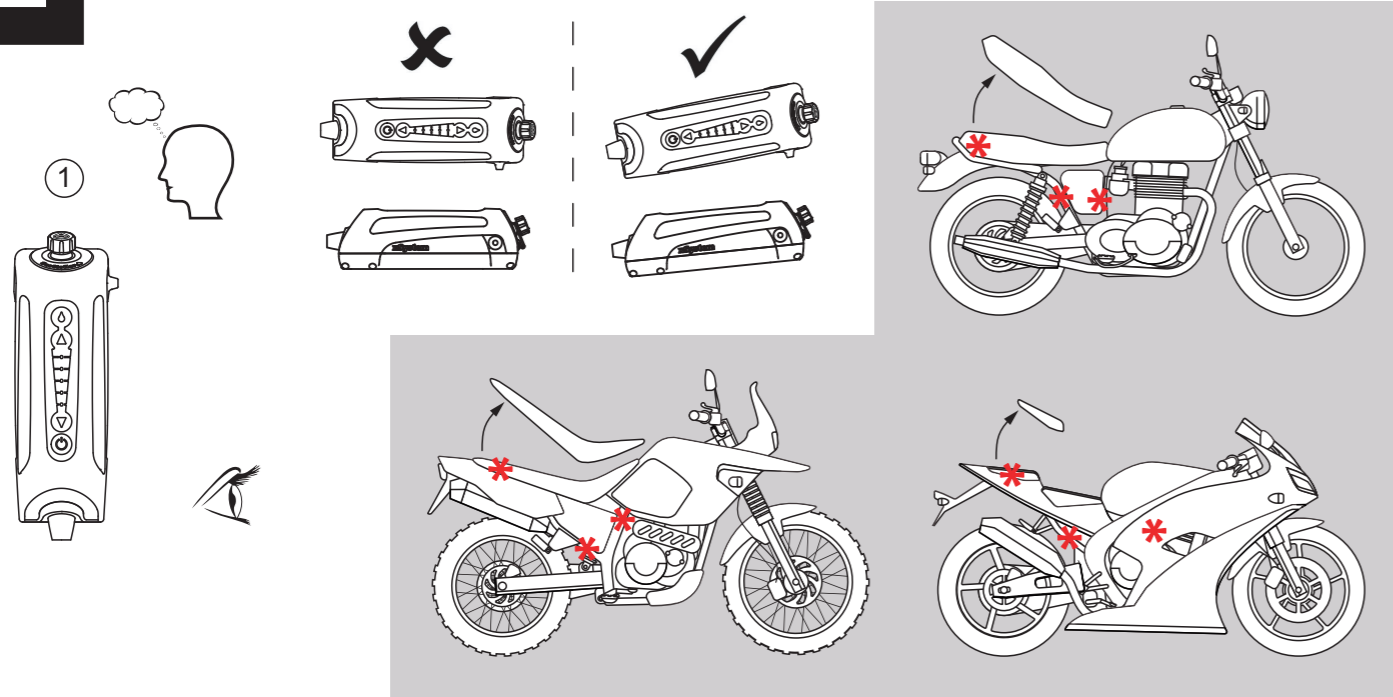
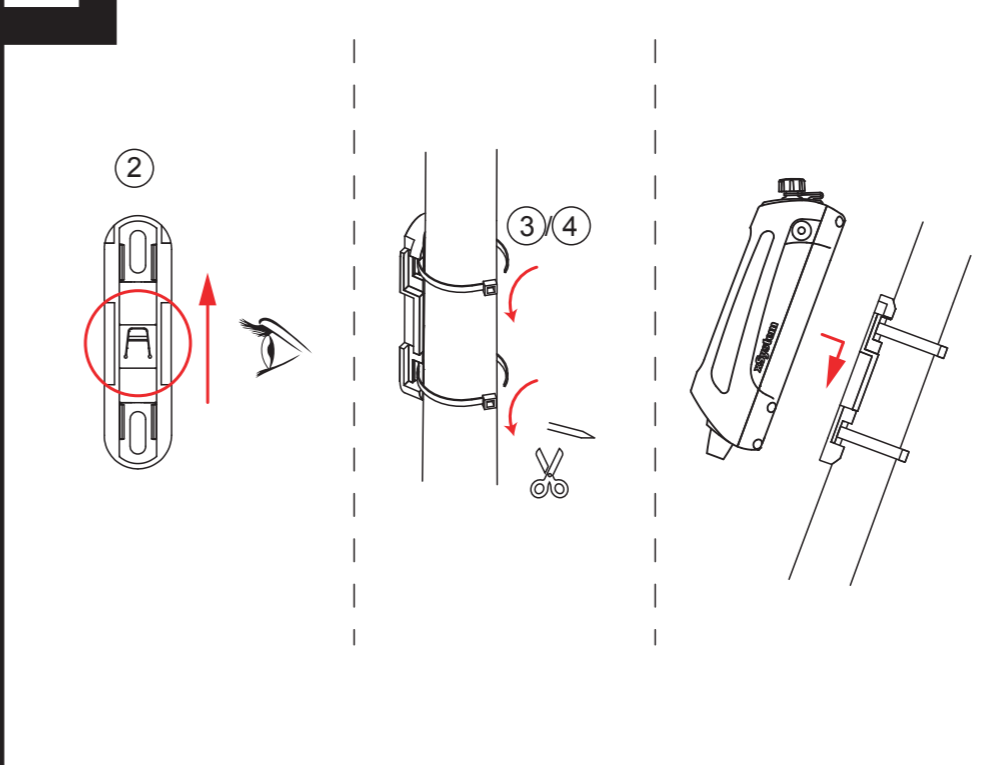


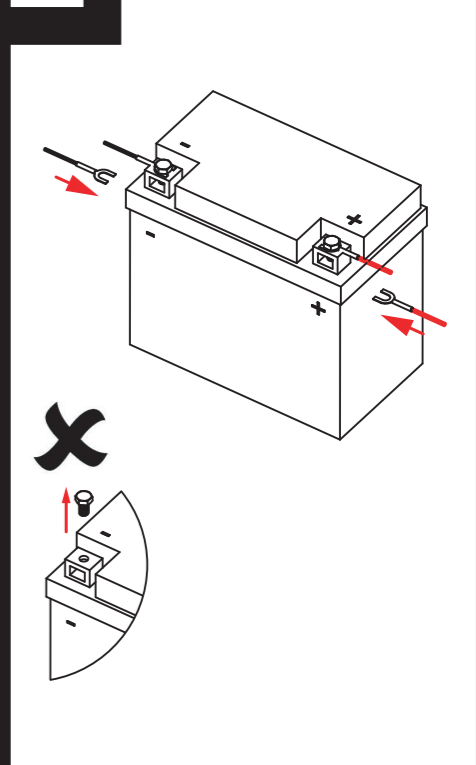
1



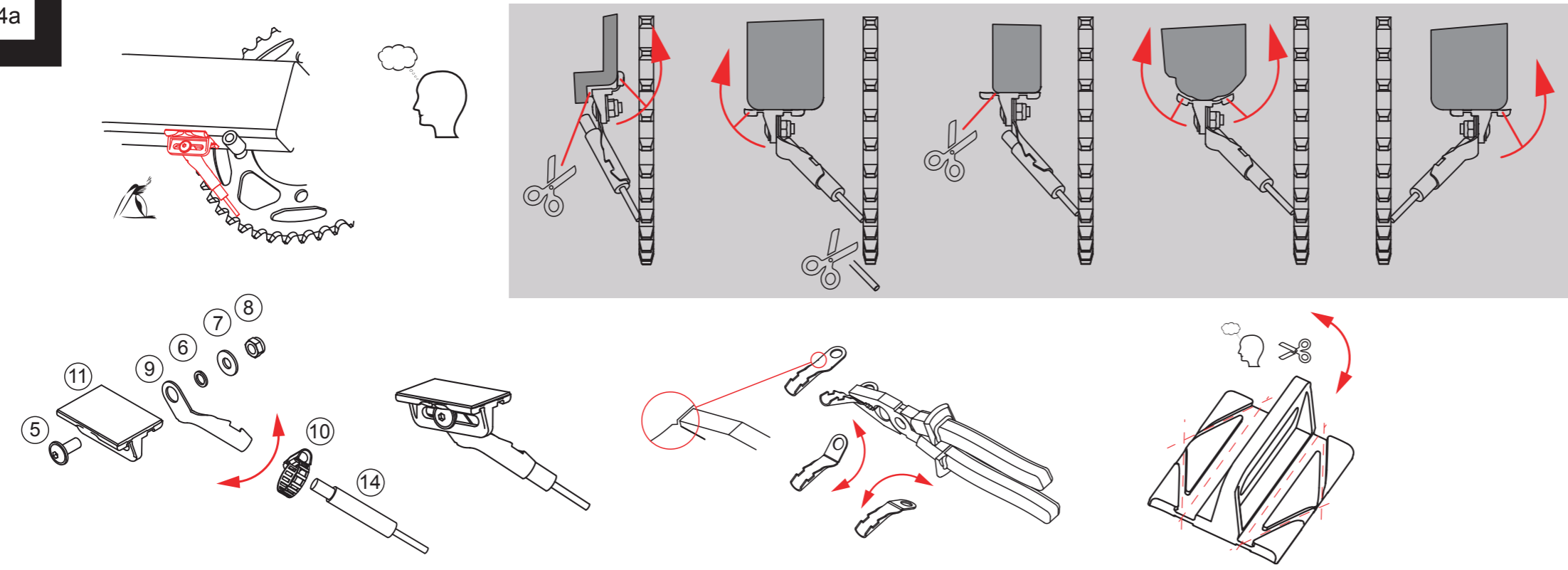
2



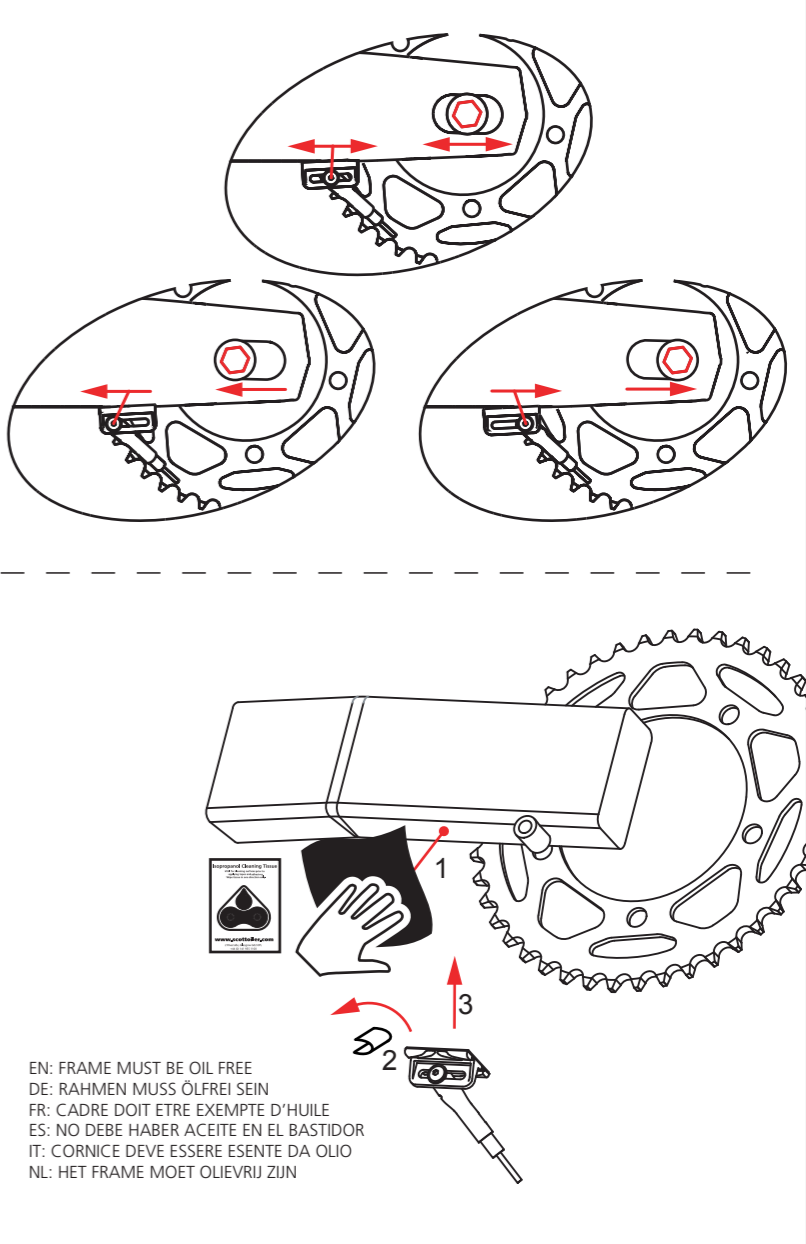
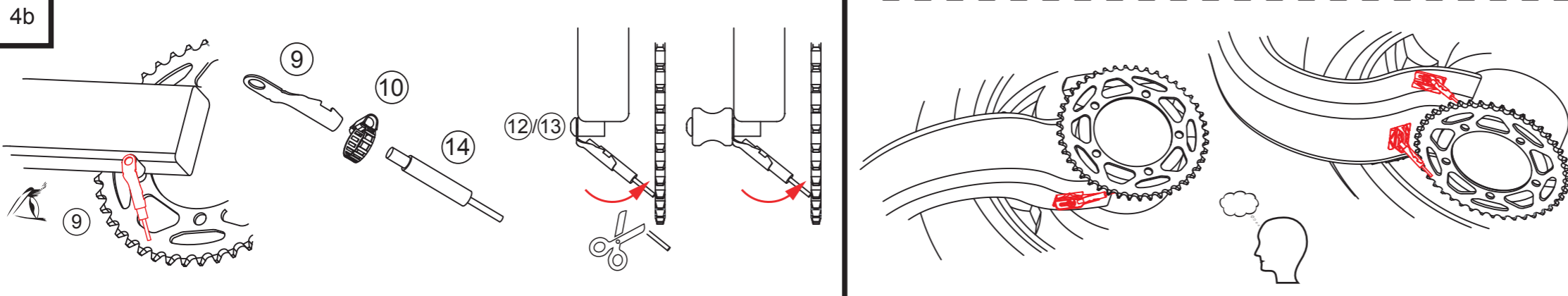
3



4a



4b



EN: FRAME MUST BE OIL FREE
 DE: RAHMEN MUSS ÖLFREI SEIN
 FR: CADRE DOIT ETRE EXEMPT D'HUILE
 ES: NO DEBE HABER ACEITE EN EL BASTIDOR
 IT: CORNICE DEVE ESSERE ESENTE DA OLIO
 NL: HET FRAME MOET OLIEVRIJ ZIJN

5

EN: FRAME MUST BE OIL FREE
 DE: RAHMEN MUSS ÖLFREI SEIN
 FR: CADRE DOIT ETRE EXEMPTÉ D'HUILE
 ES: NO DEBE HABER ACEITE EN EL BASTIDOR
 IT: CORNICE DEVE ESSERE ESENTE DA OLIO
 NL: HET FRAME MOET OLIEVRIJ ZIJN

6

7

Fill

Prime

20 only

PRIME / BOOST

ON (2s)

OFF

8

SCOTTOIL ONLY

AUTO ON/OFF

AUTO ON AUTO OFF

MANUAL OFF

xSystem Flowrates

LED Position	Number of LED flashes	1 drop every X seconds
1		10
2		20
3	***	30
4		40
5		50
1	▲	60
2		80
3	**	100
4		120
5		150
1	▼	180
2		210
3	*	240
4		300
5		360

▲ MAX
 ● START
 ● MIN

Tools Required

18 x2 (100% IPA)

Scottoiler

xSystem
 motorcycle chain oiler

www.scottoiler.com
 SCOTTOILER

register your product
www.scottoiler.com/warranty

installation videos
www.scottoiler.com/xsystem/videos

installation guides
www.scottoiler.com/mybike

x2 Rev 4